

LED Light & Tamperproof Sensor

Garrison™ Responsive 2.4GHz RFID Active Tag (Model: HKRAT-ZT02)

LED light or *Tamperproof Sensor* is added on this special tag. HKRAT-ZT02 provides excellent reading range and reliability for industrial applications.

With its robust design, it is durable for different applications, it performs reliably in environments with metal and other non-RF-friendly items. This ensures an accurate readability.

ZT02's battery is replaceable, it enables the most cost effective operation in the long term. The mounting design allows user to fix it on items easily. It is user-friendly and convenient to install.

With the tamperproof sensor, ZT02 is suitable for real time tracking. When somebody tries to remove the tag, the tamperproof sensor will be triggered and a signal will be sent to the system. Besides, such signal history can be recorded for further analysis.

Special Features:

- Replaceable battery
- Convenient Mounting design
- Stable performance
- Durable with special plastic
- External probe or internal sensor
- LED light with trigger
- Customize protocol for better security



Garrison™ Responsive 2.4GHz Active RFID Tag
(P/N: HKRAT-ZT02)



LED Light



Tamperproof
Sensor



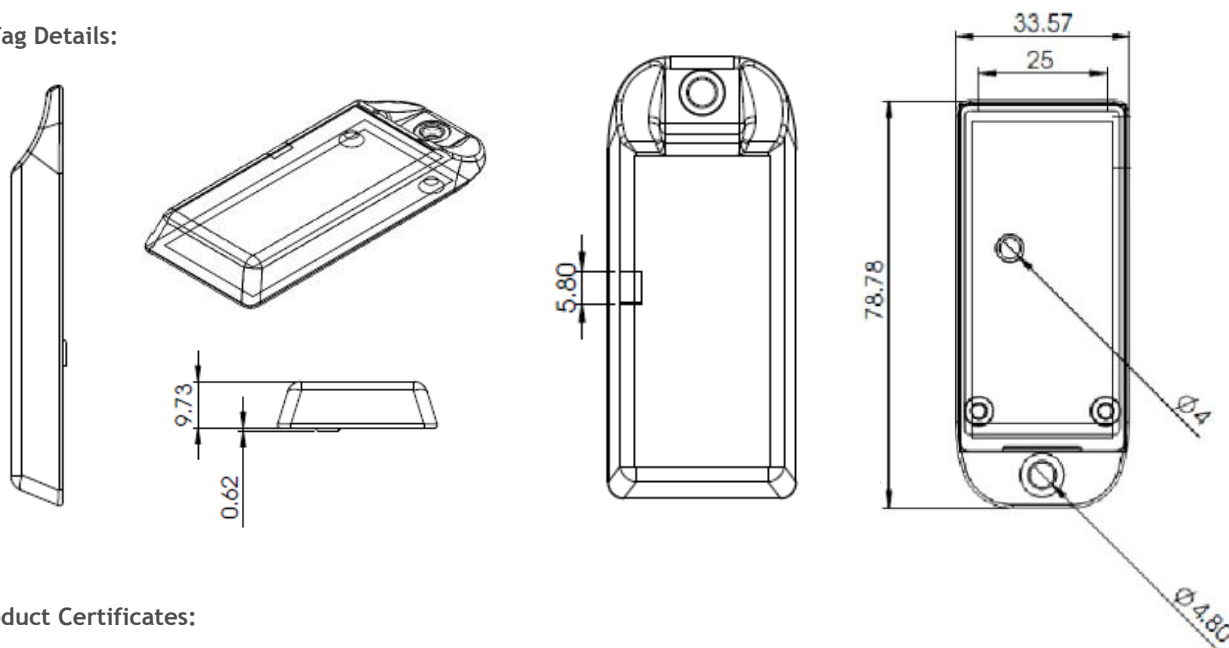
Industrial Applications:

- Heavy duty, Harsh Environment
E.g. Construction site
- Long Distance Identification
- Locating & Tacking
- Automation System
- Asset Management
- Vehicle Management
- Warehouse Management

■ Specification for Garrison™ Responsive 2.4GHz Active Tag (HKRAT-ZT02):

Frequency	2.4GHz ~2.5GHz ISM
RF Power Output	0dBm (1mW)
Power	16-18μA, 3V
Modulation	GFSK
Data Rate	1Mbps
Anti-Collision	Read more than 100 tags simultaneously
Operation	Read only. With unique ID
Battery Type	Lithium CR2450 replaceable coin cell
Battery Life	Around 2 years, depends on LED (battery life measured at 3-second motion beacon interval)
Reading Range	More than 50 meters (Depends on Reader)
Dimension	78.8mm * 33.6mm * 9.7mm
Others	LED Light & Tamperproof Sensor

Tag Details:



Product Certificates:



Company Awards:



For enquiry, please contact:

Email: sales@hk-rfid.com

Tel: (852) 3426 9510 Fax: (852) 3426 9519

Distributor: