

## Hussar™ Card Plus Dual Frequency RFID Tag (2.4GHz Active + 13.56 Passive RFID) (Model: HKRAT-CT02+)

The Hussar™ Active Tag provides excellent reading range and reliability for high value applications such as people or asset tracking, inventory management, and customer relationship management and so on.

It is smart card size, fit to ISO card sticker and can be used in vertical or horizontal. Its battery is replaceable and has great RFID performance but of low cost. Photos or any required information can be shown and displayed on the card for identification purpose. This makes Hussar™ the best choice for People Tracking and Location System.

HKRAT-CT02+ is an upgraded model of HKRAT-CT02, which has passive RFID tag functionality added. Not only does it bring more flexibility for users, it is also suitable for a wider range of applications, including those requiring both long and short reading range and storage. HKRAT-CT02+ is highly recommended for access control, payment and CRM applications.

There is no interference between the two different RFID systems. CT02+ can work as a proximity card while maintaining the special features of 2.4GHz Active RFID.

With its slim design, stable and impressive performance along with our active readers, HKRAT-CT02+ would make an excellent and extendable management system.



**Dual Frequency**

Hussar™ Card Plus  
 Dual Frequency RFID Tag  
 (P/N: HKRAT-CT02+)

### Hussar™ is *SLIM*

- Smallest Tag with Replaceable Battery
- Long and Adjustable Read Range
- Identify 100 tags simultaneously
- Metal and Human Body issues are solved!

#### Applications:

- Customer Relationship Management
- Access Control
- Time Attendance
- Personnel Management
- Payment Application

#### Special Features:

- Stylish outlook
- No interference with other 2.4GHz network
- Low power consumption
- Battery replaceable
- Dual Frequency (Active + Passive)
- Satisfy both short and long reading range

■ Specification for Hussar™ Card Plus 2.4GHz Active + Passive Tag (HKRAT-CT02+):

Frequency	2.4GHz ~2.5GHz ISM & 13.56MHz
RF Power Output	0dBm (1mW)
Power	16~18µA, 3V
Modulation	GFSK
Data Rate	1Mbps
Anti-Collision	Read more than 100 tags simultaneously
Operation	Read only
Battery Type	Lithium CR2032 replaceable coin cell
Battery Life	Around 2 years (battery life measured at 1-second motion beacon interval)
Reading Range	30 to 50 meters (Depends on Reader Antenna)
Dimension	87mm x 55mm x 4.8mm



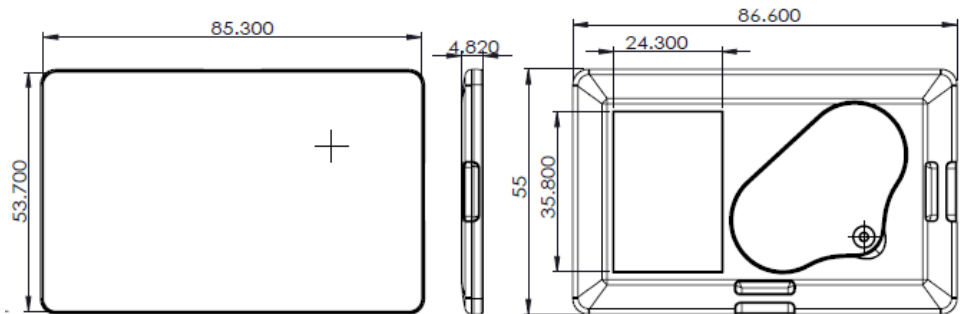
Recommended Label Dimension:  
24 mm x 36 mm

Hussar™ Card Plus Tag Accessories:

- Lithium Coin battery (CR2032)



Tag Details:



Product Certificates:



Company Awards:



For enquiry, please contact:

Email: sales@hk-rfid.com

Tel: (852) 3426 9510 Fax: (852) 3426 9519

Distributor: